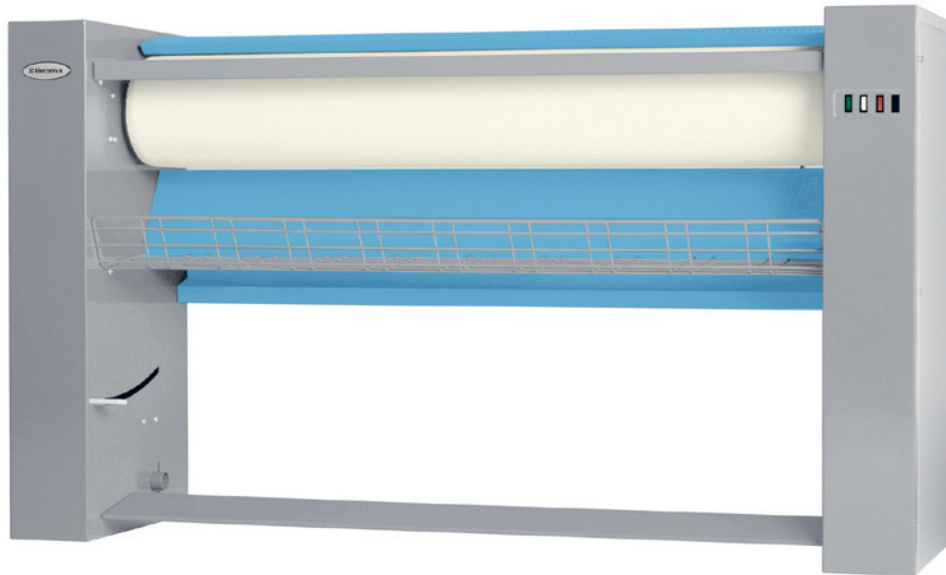


Industrial Ironers

IB42310, IB42314, IB42316



Features and benefits

- Return feed system
- Finger guard protection provides additional safety for operator
- Adjustable temperature
- Cylinder covered with steel wool and cotton felt for a long life time and a good drive of the linen
- Ergonomic control pedal
- Feeding table and reception tray made of steel

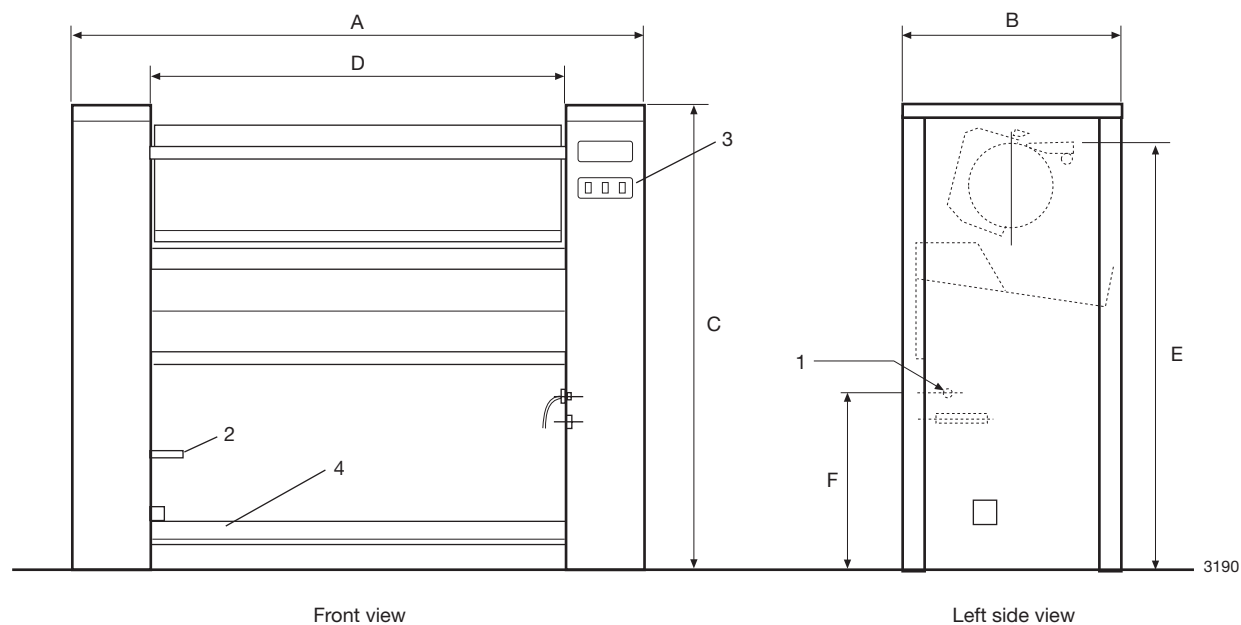
Main options

- Coin meter operation
- Variable speed control
- Cylinder Nomex® padding which can withstand temperatures above 200°C

Main specifications		IB42310	IB42314	IB42316
Capacity*, max. water evaporation	l/h	5	6.8	8.1
Roller,				
diameter	ø mm	230	230	230
length	mm	1000	1400	1650
Ironing speed	m/min	3.4	3.4	3.4
Heating, electricity	kW	5.0	7.2	8.4
* 20% residual moisture content and 100% roller utilization (ISO 9398).				

Electrical connections*		IB42310	IB42314	IB42316
Voltage				
230-240V 3 AC 50/60 Hz	kW (A)	5.2 (16)	7.5 (20)	-
230V 1 AC 50/60 Hz	kW (A)	5.2 (32)	7.5 (32)	-
400-415V 3N AC 50 Hz	kW (A)	5.2 (10)	7.5 (16)	8.7 (16)
400-440V 3 AC 50/60 Hz	kW (A)	5.2 (10)	7.5 (16)	8.7 (16)
Connections				
Exhaust, outlet	ø mm	-	40	40
Sound levels				
Airborne sound level	dB(A)	52	54	54
Heat emission				
% of installed power		3	3	3
Shipping data				
	net, kg	120	140	184
	crated, kg	145	170	185
Shipping volume	m ³	0.91	1.16	1.34
Dimensions in mm				
A Width		1395	1795	2045
B Depth		510	510	510
C Height		1025	1025	1025
D		1055	1455	1705
E		940	940	940
F		420	420	420
1 Electrical connection		3 Control panel		
2 Bed release lever		4 Control pedal		

* Other voltages available, see installation manual.



 **Electrolux**

www.electrolux.com/professional

Share more of our thinking at www.electrolux.com

Art. No. 435903251/01 07.04
We reserve the right to alter specifications without notice.