

Tumble dryer

T4300S

Features and benefits

- High productivity – 2 full loads per hour per pocket
- Low energy consumption for optimal efficiency and economy
- Selection of temperature and time for easy operation
- Customized user panels for specific user needs – available for Coin, AHL (Apartment House Laundry) and OPL (On Premises Laundry)
- Large door opening for easy loading and unloading
- Easy access to vital parts from front and rear for simple servicing
- Selecta Microprocessor control
 - 2 auto stop programs for extra dry and dry
 - 5 to 9 tailor made programs for any drying need
 - Accurate temperature control for unmatched drying accuracy
 - Anti-crease cycle for avoiding creasing if the dryer is not unloaded
 - Error codes for easy trouble shooting
 - High contrast display
- Serviceprogram for adjustment of parameters eg. temperature and cool-down time

Main options

- Stainless steel front
- Stainless steel drum
- Residual Moisture Control – RMC
- Reversing drum
- Payment: coinmeter, chipcard reader, central payment connection



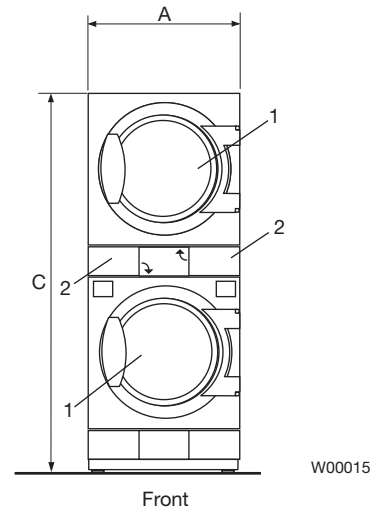
Main specifications			T4300S			
Rated capacity, filling factor 1:18	kg/lb		2 x 16.7/2 x 37			
filling factor 1:25	kg/lb		2 x 12/2 x 26			
Drum volume	litre		2x300			
Drum diameter	mm		760			
Heating			2 x 71 700 (2 x 21)			
gas	BTU/h (kW)		2 x 9/2 x 13.5/2 x 18			
el	kW					
Consumption data*			Gas	EI 9 kW	EI 13.5 kW	EI 18 kW
Total time at 2 x 13.6 kg	min		21	43	29	24
Energy consumption at 2 x 13.6 kg	kWh		7.11	6.65	6.51	6.51
Evaporation	g/min		329	160	231	279
Energy kWh/litre water evaporated	kWh/l		1.03	0.96	0.97	0.97

* At rated capacity 100% cotton load at 50% initial moisture dried to 0%.

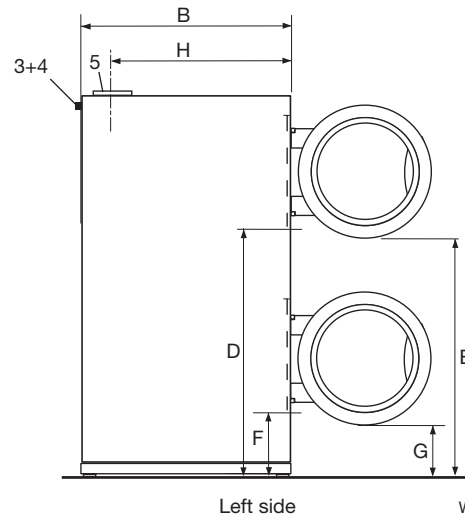
Certified in accordance with ISO 9001 and ISO 14001 and approved IP X4.

Electrical connections			T4300S
Heating Voltage			
Gas	120V 1AC 60 Hz	kW(A)	2 x 1 (2 x 15)
	208V-240V 1AC 60 Hz	kW(A)	2 (15)
	200V 3AC 50/60 Hz	kW(A)	2 (10)
	230V 1AC 50 Hz	kW(A)	2 (10)
	400V-440V 3NAC 3AC 50/60 Hz	kW(A)	2 (10)
	400V-415V 3NAC 3AC 50 Hz	kW(A)	2 (10)
	400V-480V 3AC 60 Hz	kW(A)	2 (10)
EI	230V-240V 3AC 50/60 Hz	kW(A)	2 x 10 (2 x 35)
	400V-415V 3AC 50 Hz	kW(A)	2 x 10 (2 x 16)
	400V-415V 3AC 50 Hz	kW(A)	2 x 14.5 (2 x 25)
	400V-415V 3AC 50 Hz	kW(A)	2 x 19 (2 x 35)
	400V-480V 3AC 60 Hz	kW(A)	2 x 10 (2 x 16)
	400V-480V 3AC 60 Hz	kW(A)	2 x 14.5 (2 x 25)
	400V-480V 3AC 60 Hz	kW(A)	2 x 19 (2 x 35)
Gas and air connections			
Gas	ISO 7/1-R		1/2"
Gas pressure	Natural gas	Pa	2000
		mbar	20
	Propane	Pa	2800-5000
		mbar	28-50
Air outlet		ø mm	200
Evacuated air,	gas/el	m ³ /h	2 x 600
Pressure drop	gas/el	Max. Pa	400
Sound levels			
Airborne sound level		dB(A)	<70
Heat emission			
% of installed power, max			15
Shipping data			
		net, kg	295
		crated, kg	315
		crated, m ³	2.0
Dimensions in mm			
A	Width		790
B	Depth		1110
C	Height		1940
D			1270
E			1210
F			320
G			260
H			925
I			125
K			1930
L			30
M			105
N			1840
O			740
1	Door opening ø 580 mm	4	Gas connection
2	Operating panel	5	Air outlet
3	Electric connection		

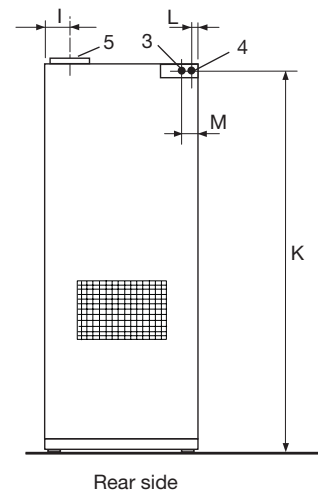
* Other voltages available, see installation manual.



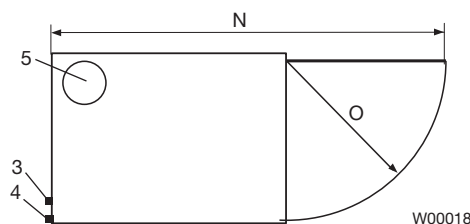
W00015



W00016



W00017



Electrolux

www.electrolux.com/professional

Share more of our thinking at www.electrolux.com

Art. No. 435918821/05.07.21
We reserve the right to alter specifications without notice.